



## GANGWAY SAFETY LOCKDOWN SYSTEM



EASY  
TO USE

FIRST OF  
ITS KIND

RETROFIT  
YOUR EXISTING  
G4 GANGWAY



SafeRack's patent pending locking mechanism gives you full control over your gangway's range of motion. The G4 Gangway lockdown system keeps your equipment where it should be — and your operators safe.

Safety is locked in. For operators in the field, it's becoming a common practice to raise and reposition the gangways and cages from the top of railcars or trucks when the hatch interferes. This extremely dangerous habit has increased the risk of operator falls.

With the G4 Gangway lockdown system, your gangway stays securely in place at all times. Only when the operator returns to the platform can they release the lock, keeping the gangway from being raised until they are safely out of the work area.

### Features

- Patent pending locking device
- T Frame support structure and mounting brackets
- Cabling and connections
- Protective covers
- Installation instructions
- Easy maneuvering — the simple press of a foot pedal, you control how your gangway moves.
- Enhanced safety
- Compatibility — it can also be retrofitted to your existing SafeRack G4 series gangway

G4 Gangway safety lockdown system can readily be installed on the following standard G4 series gangways:

**G4 SERIES**

SFR GANGWAY



SAS GANGWAY



FRT GANGWAY



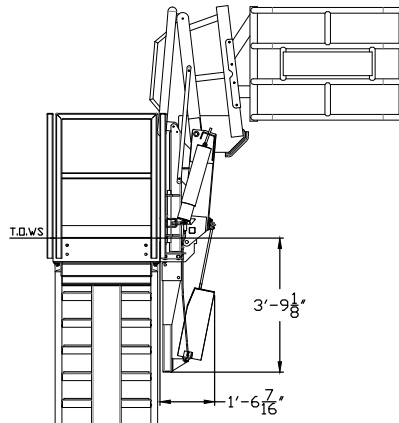
24, 36, 48 inch-wide versions

**G4 Gangway Safety Lockdown System:**

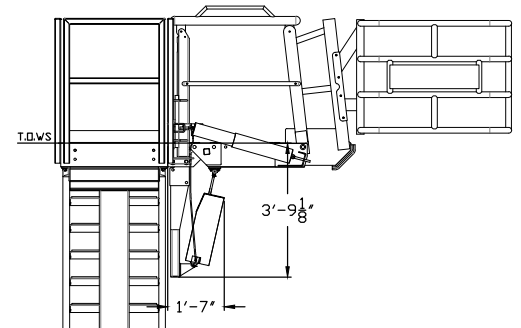
Patent pending

**Notes:**

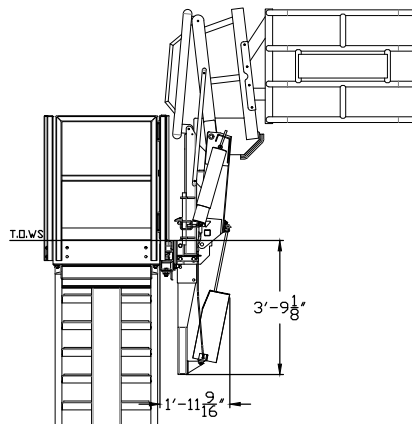
1. 24-inch-wide x 3-thru-7 step versions  
36-inch-wide x 3-thru-7 step versions  
48-inch-wide x 3-thru-7 step versions
2. Application to "modified" G4 gangways may be possible, however, require review by SafeRack
3. Ambient operating temperatures down to -30F°
4. Adding the G4 Gangway Safety Lockdown System does not affect raising and lowering forces
5. Hardware designed to withstand climatic conditions



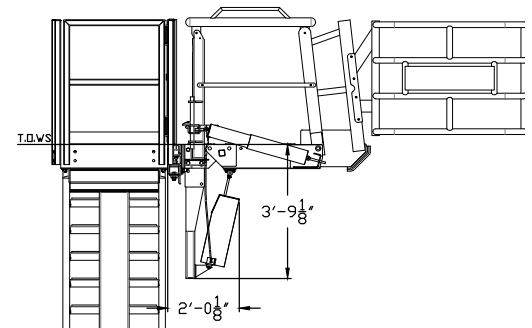
STORED VIEW



HORIZONTAL WORKING VIEW



(TRACKING) STORED VIEW



(TRACKING) HORIZONTAL WORKING VIEW